



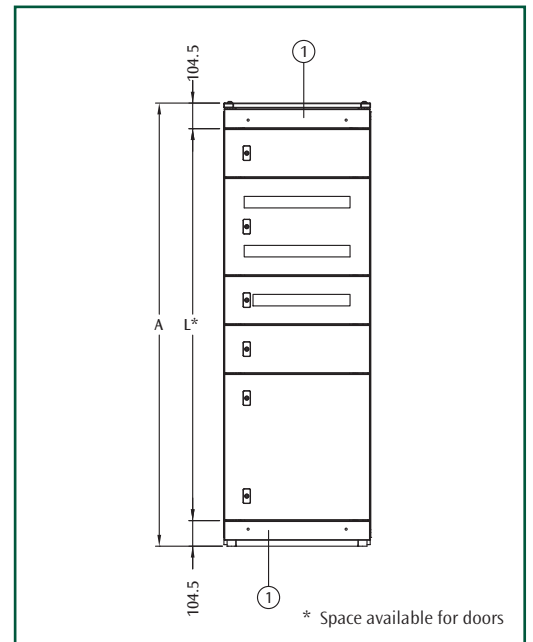
Modular

CHARACTERISTICS/SUPPLY

- The solution is composed by:
- E NUX structure and bottom with adjustable cable entry manufactured from high-strength low-alloy sheet steel
 - roof manufactured from sheet steel
 - rear panel manufactured from sheet steel.

PAINT FINISH

- ETA standard epoxy polyester powder coating:
- structure: colour RAL 7035 smooth finish
 - rear panel: colour RAL 7035 textured finish
 - roof: colour RAL 5020 textured finish.



EUFI - M side panels, see pag. 116



EUZE modular plinth, see page 65

1 Front panels kit WTCL (2 pieces) to be ordered separately.

DIMENSIONAL SPECIFICATIONS

CABINET DIMENSIONS			
B	A	P	L
600	1809	414	1600
600	1809	514	1600
600	1809	614	1600
600	1809	814	1600
800	1809	414	1600
800	1809	514	1600
800	1809	614	1600
800	1809	814	1600
600	2009	414	1800
600	2009	514	1800
600	2009	614	1800
600	2009	814	1800
800	2009	414	1800
800	2009	514	1800
800	2009	614	1800
800	2009	814	1800

ASSEMBLED STRUCTURE FOR MODULAR CABINET MULTIPLE DOORS

CABINET DIMENSIONS			E NUX
WIDTH	HEIGHT	DEPTH	CODE
600	1800	400	ENUX061804ST
600	1800	500	ENUX061805ST
600	1800	600	ENUX061806ST
600	1800	800	ENUX061808ST
600	2000	400	ENUX062004ST
600	2000	500	ENUX062005ST
600	2000	600	ENUX062006ST
600	2000	800	ENUX062008ST
800	1800	400	ENUX081804ST
800	1800	500	ENUX081805ST
800	1800	600	ENUX081806ST
800	1800	800	ENUX081808ST
800	2000	400	ENUX082004ST
800	2000	500	ENUX082005ST
800	2000	600	ENUX082006ST
800	2000	800	ENUX082008ST

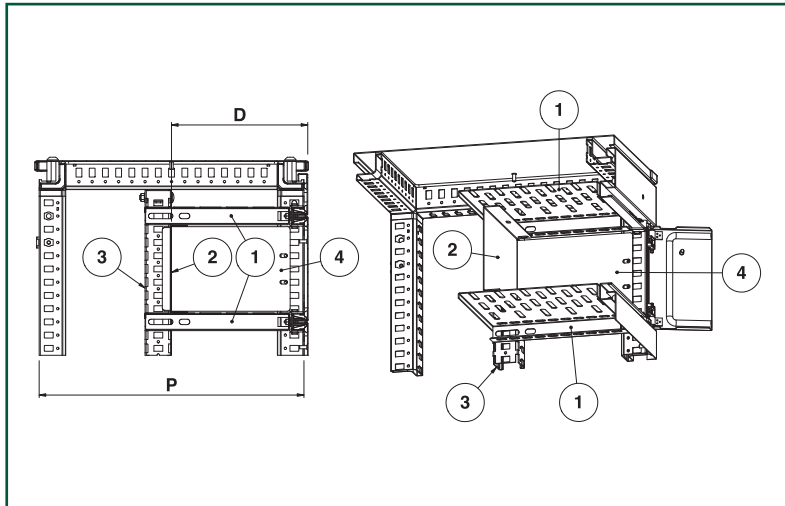
Modular

FLAT-PACK STRUCTURE FOR MODULAR CABINET MULTIPLE DOORS

CABINET DIMENSIONS			ROOF + BOTTOM	2 FRONT UPRIGHTS FOR E NUX MULT. DOORS	REAR PANEL
WIDTH	HEIGHT	DEPTH	EUTF CODE	EUMT CODE	EURE CODE
600	1800	400	EUTF060040	EUMT001800	EURE060180
600	1800	500	EUTF060050	EUMT001800	EURE060180
600	1800	600	EUTF060060	EUMT001800	EURE060180
600	1800	800	EUTF060080	EUMT001800	EURE060180
600	2000	400	EUTF060040	EUMT002000	EURE060200
600	2000	500	EUTF060050	EUMT002000	EURE060200
600	2000	600	EUTF060060	EUMT002000	EURE060200
600	2000	800	EUTF060080	EUMT002000	EURE060200
800	1800	400	EUTF080040	EUMT001800	EURE080180
800	1800	500	EUTF080050	EUMT001800	EURE080180
800	1800	600	EUTF080060	EUMT001800	EURE080180
800	1800	800	EUTF080080	EUMT001800	EURE080180
800	2000	400	EUTF080040	EUMT002000	EURE080200
800	2000	500	EUTF080050	EUMT002000	EURE080200
800	2000	600	EUTF080060	EUMT002000	EURE080200
800	2000	800	EUTF080080	EUMT002000	EURE080200

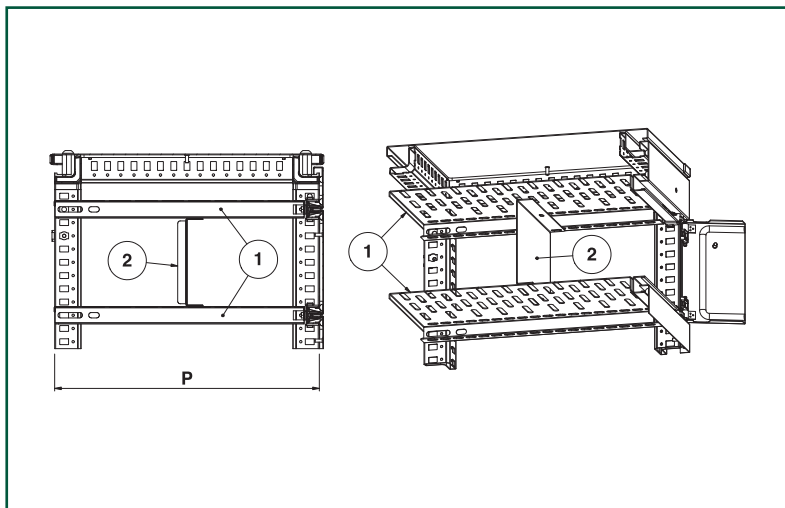
Note: to complete the configuration of the cabinet, see on pages 112-117.

1. IDENTIFICATION OF THE CONFIGURATION BASED ON E NUX



LEGEND	
REF.	DESCRIPTION
1	PARTIAL HORIZONTAL PLATE: EUDO
2	MOUNTING PLATE: EUPO
3*	RAIL WTPR-050180CP (H=1800)
3*	RAIL WTPR-050200CP (H=2000)
4	SIDE COVER: EUSV

* To be ordered separately: fixing brackets WTSF-001CP.

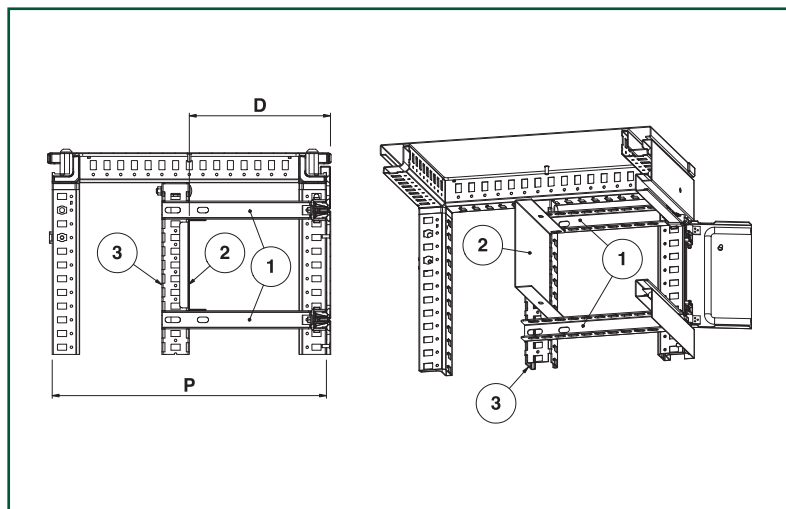


LEGEND	
REF.	DESCRIPTION
1	HORIZONTAL PLATE: EUDO
2	MOUNTING PLATE: EUPU

HORIZONTAL PLATE*

CABINET DEPTH		PARTIAL HORIZONTAL PLATE		TOTAL HORIZONTAL PLATE	
P	D MAX	CABINET WIDTH=600	CABINET WIDTH=800	CABINET WIDTH=600	CABINET WIDTH=800
400	105	EUDO-060010	EUDO-080010	EUDO-060040	EUDO-080040
400	155	EUDO-060015	EUDO-080015	EUDO-060040	EUDO-080040
500	105	EUDO-060010	EUDO-080010	EUDO-060050	EUDO-080050
500	155	EUDO-060015	EUDO-080015	EUDO-060050	EUDO-080050
500	255	EUDO-060025	EUDO-080025	EUDO-060050	EUDO-080050
600	105	EUDO-060010	EUDO-080010	EUDO-060060	EUDO-080060
600	155	EUDO-060015	EUDO-080015	EUDO-060060	EUDO-080060
600	255	EUDO-060025	EUDO-080025	EUDO-060060	EUDO-080060
600	355	EUDO-060040	EUDO-080040	EUDO-060060	EUDO-080060
800	105	EUDO-060010	EUDO-080010	EUDO-060080	EUDO-080080
800	155	EUDO-060015	EUDO-080015	EUDO-060080	EUDO-080080
800	255	EUDO-060025	EUDO-080025	EUDO-060080	EUDO-080080
800	355	EUDO-060040	EUDO-080040	EUDO-060080	EUDO-080080

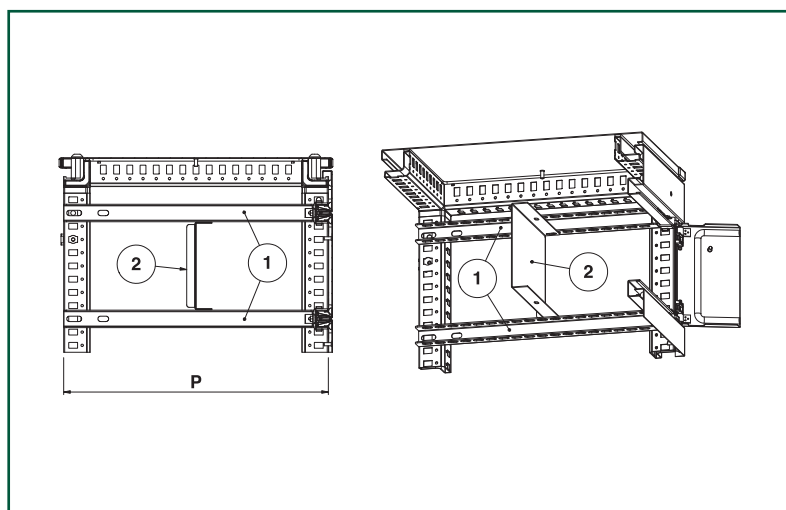
* Single piece



LEGEND	
REF.	DESCRIPTION
1	PARTIAL RAIL: WTPR
2	MOUNTING PLATE: EUPU
3*	RAIL WTPR-050180CP (H=1800)
3*	RAIL WTPR-050200CP (H=2000)

* To be ordered separately: fixing brackets WTSF-001CP

Modular



LEGEND	
REF.	DESCRIPTION
1	TOTAL RAIL: WTPR
2	MOUNTING PLATE: EUPU

RAILS*

CABINET DEPTH		PARTIAL DEPTH	TOTAL DEPTH
P	D MAX	WTPR CODE	WTPR CODE
400	105	WTPR-033010	WTPR-033040
400	155	WTPR-033015	WTPR-033040
500	105	WTPR-033010	WTPR-033050
500	155	WTPR-033015	WTPR-033050
500	255	WTPR-033025	WTPR-033050
600	105	WTPR-033010	WTPR-033060
600	155	WTPR-033015	WTPR-033060
600	255	WTPR-033025	WTPR-033060
600	355	WTPR-033040	WTPR-033060
800	105	WTPR-033010	WTPR-033080
800	155	WTPR-033015	WTPR-033080
800	255	WTPR-033025	WTPR-033080
800	355	WTPR-033040	WTPR-033080

* 2 pieces

2. CHOICE OF THE CABINET CONFIGURATION BY SIMPLE PANEL/DOOR SELECTION

FRONT PANELS WTCI

CHARACTERISTICS

Manufactured from 1.5 mm thick sheet steel.

PAINT FINISH

Colour: RAL 7035 textured finish.

FRONT PANELS	
WTCI CODE	CABINET WIDTH
WTCI060100	600
WTCI080100	800

BLANK DOORS EUPD

CHARACTERISTICS

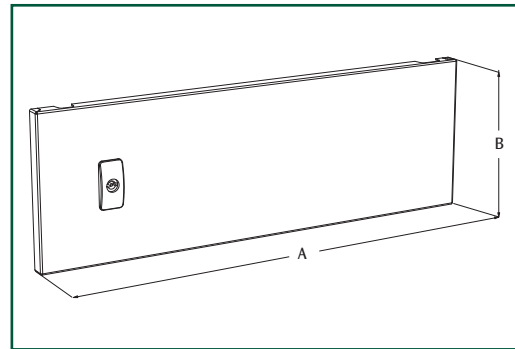
Manufactured from 1.5 mm thick sheet steel complete with sealing gasket and locking system.

SUPPLY

Includes 1 piece.

PAINT FINISH

Colour: RAL 7035 textured finish.



Note: EUSO horizontal rail to be ordered separately.

BLANK DOORS		
EUPD CODE	DIMENSIONS	
	A	B
EUPD060020	600	200
EUPD060030	600	300
EUPD060040	600	400
EUPD060050	600	500
EUPD060060	600	600
EUPD060070	600	700
EUPD060080	600	800
EUPD060090	600	900
EUPD060100	600	1000
EUPD060120	600	1200
EUPD080020	800	200
EUPD080030	800	300
EUPD080040	800	400
EUPD080050	800	500
EUPD080060	800	600
EUPD080070	800	700
EUPD080080	800	800
EUPD080090	800	900
EUPD080100	800	1000
EUPD080120	800	1200

DOORS WITH MODULE SLOTS EUPD - M

CHARACTERISTICS

Manufactured from 1.5 mm thick sheet steel.

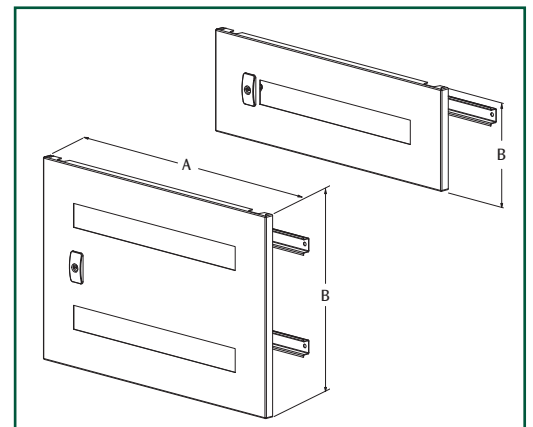
SUPPLY

Includes 1 piece complete with DIN profiles.

PAINT FINISH

Colour: RAL 7035 textured finish.

Note: EUSO horizontal rail to be ordered separately.



DOORS WITH MODULE SLOT			
EUPD CODE	DIMENSIONS		N° OF SLOTS (18 MM)
	A	B	
EUPD060020M	600	200	1x22
EUPD060040M	600	400	2x24
EUPD080020M	800	200	1x33
EUPD080040M	800	400	2x35

3. CHOICE OF THE INNER ACCESSORIES

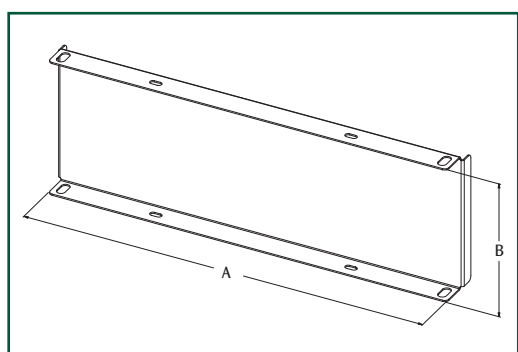
MOUNTING PLATE EUPU

CHARACTERISTICS

Manufactured from 2.0 mm thick sendzimir sheet steel.

SUPPLY

Includes 1 piece complete with mounting accessories.



MOUNTING PLATE				
EUPU CODE	DIMENSIONS		MOUNT. PLATE DIM.	
	WIDTH	HEIGHT	A	B
EUPU-060020	600	200	490	165
EUPU-060030	600	300	490	265
EUPU-060040	600	400	490	365
EUPU-060050	600	500	490	465
EUPU-060060	600	600	490	565
EUPU-060070	600	700	490	665
EUPU-060080	600	800	490	765
EUPU-060090	600	900	490	865
EUPU-060100	600	1000	490	965
EUPU-060120	600	1200	490	1165
EUPU-080020	800	200	690	165
EUPU-080030	800	300	690	265
EUPU-080040	800	400	690	365
EUPU-080050	800	500	690	465
EUPU-080060	800	600	690	565
EUPU-080070	800	700	690	665
EUPU-080080	800	800	690	765
EUPU-080090	800	900	690	865
EUPU-080100	800	1000	690	965
EUPU-080120	800	1200	690	1165

Modular

HORIZONTAL DOOR RABBET EUSO

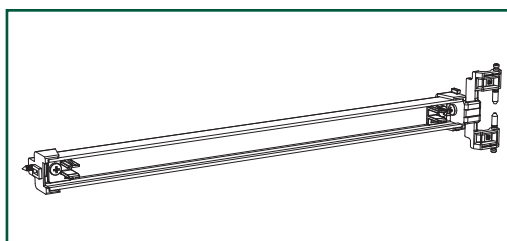
Required to lock the EUPD door on the structure.

CHARACTERISTICS

Manufactured from 1.5 mm thick sendzimir sheet steel.

SUPPLY

Includes 1 piece complete with locking units, hinges to be mounted on a blank EUPD door, screws and mounting accessories.



HOR. DOOR LOCKING PROFILE EUPD

EUSO CODE	CABINET WIDTH
EUSO-000600C	600
EUSO-000800C	800

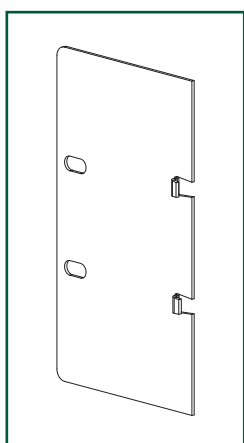
SIDE COVERS EUSV

CHARACTERISTICS

Manufactured from 1.5 mm thick sendzimir sheet steel.

SUPPLY

Includes 2 pieces complete with mounting accessories.



SIDE COVERS				
HEIGHT DOOR	CUBICLE DEPTH "D" MM			
	105	155	255	355
	EUSV CODE	EUSV CODE	EUSV CODE	EUSV CODE
200	EUSV-010020	EUSV-015020	EUSV-025020	EUSV-035020
300	EUSV-010030	EUSV-015030	EUSV-025030	EUSV-035030
400	EUSV-010040	EUSV-015040	EUSV-025040	EUSV-035040
500	EUSV-010050	EUSV-015050	EUSV-025050	EUSV-035050
600	EUSV-010060	EUSV-015060	EUSV-025060	EUSV-035060
700	EUSV-010070	EUSV-015070	EUSV-025070	EUSV-035070
800	EUSV-010080	EUSV-015080	EUSV-025080	EUSV-035080
900	EUSV-010090	EUSV-015090	EUSV-025090	EUSV-035090
1000	EUSV-010100	EUSV-015100	EUSV-025100	EUSV-035100
1200	EUSV-010120	EUSV-015120	EUSV-025120	EUSV-035120

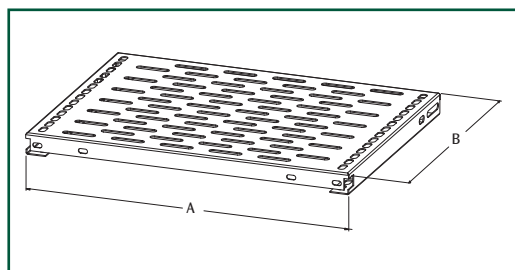
HORIZONTAL PLATE EUDO

CHARACTERISTICS

Manufactured from 1.5 mm thick sendzimir sheet steel.

SUPPLY

Includes 1 piece complete with mounting accessories.



Modular

HORIZONTAL PLATE

EUDO CODE	CABINET WIDTH	DIMENSIONS	
		A	B
EUDO-060010	600	496	122
EUDO-060015	600	496	172
EUDO-060025	600	496	272
EUDO-060040	600	496	372
EUDO-060050	600	496	472
EUDO-060060	600	496	572
EUDO-060080	600	496	772
EUDO-080010	800	696	122
EUDO-080015	800	696	172
EUDO-080025	800	696	272
EUDO-080040	800	696	372
EUDO-080050	800	696	472
EUDO-080060	800	696	572
EUDO-080080	800	696	772

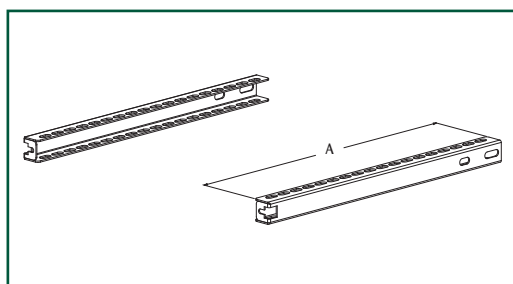
RAILS WTPR

CHARACTERISTICS

Manufactured from 2.0 mm thick sendzimir sheet steel.

SUPPLY

2 pieces with mounting accessories.



RAILS

WTPR CODE	LENGTH
WTPR-033010	122
WTPR-033015	172
WTPR-033025	272
WTPR-033040	372
WTPR-033050	472
WTPR-033060	572
WTPR-033080	772

JOINING KIT EUKU-004

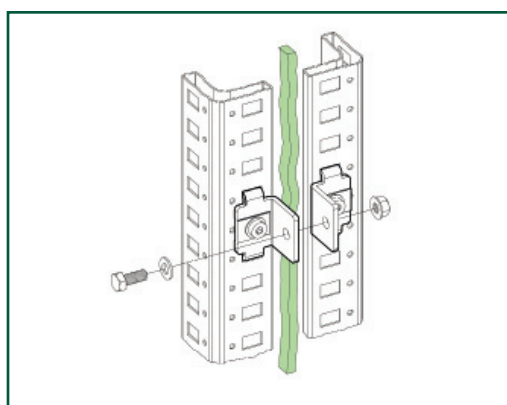
CHARACTERISTICS

Manufactured from 4.0 mm thick zincpassivated sheet steel, allows to join multiple door cabinets in a quickly and effectively way.

SUPPLY

8 pieces with mounting accessories.

Note: in order to lift suite cabinets with the joining kit EUKU-004, use lifting brackets WTSS-001 (see page 74).



SIDE PANELS EUFI - M

CHARACTERISTICS

Manufactured from sheet steel with folded sides.

SUPPLY

Includes 2 pieces with mounting accessories.

PAINT FINISH

ETA standard epoxy polyester powder coating.
Colour: RAL 7035 textured finish.

SIDE PANELS

EUFI-M CODE	WIDTH	HEIGHT
EUFI040180M	400	1800
EUFI040200M	400	2000
EUFI040220M	400	2200
EUFI050180M	500	1800
EUFI050200M	500	2000
EUFI050220M	500	2200
EUFI060180M	600	1800
EUFI060200M	600	2000
EUFI060220M	600	2200
EUFI080180M	800	1800
EUFI080200M	800	2000
EUFI080220M	800	2200

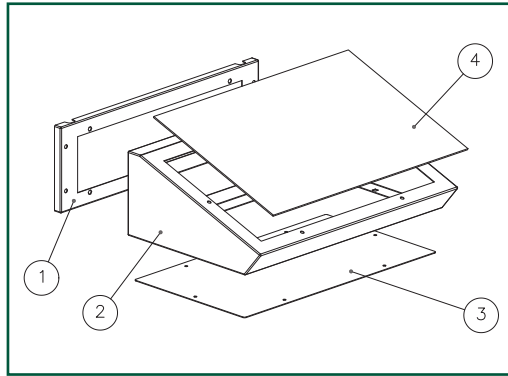
DESK FOR MULTIPLE DOOR CABINET EULE

CHARACTERISTICS

Manufactured from 1.5 mm thick sheet steel.

PAINT FINISH

Colour: RAL 7035 textured finish.



DESK FOR MULTIPLE DOOR CABINET			
EULE CODE	CABINET WIDTH	DESCRIPTION	REF.
EULE000600	600	TRIM PANEL	1
		DESK	2
		BOTTOM FLANGE	3
		TOP COVER	4
EULE000800	800	TRIM PANEL	1
		DESK	2
		BOTTOM FLANGE	3
		TOP COVER	4